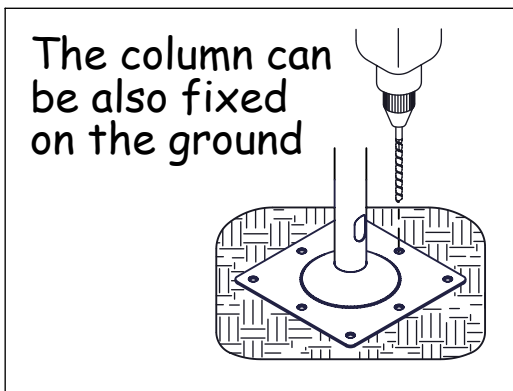
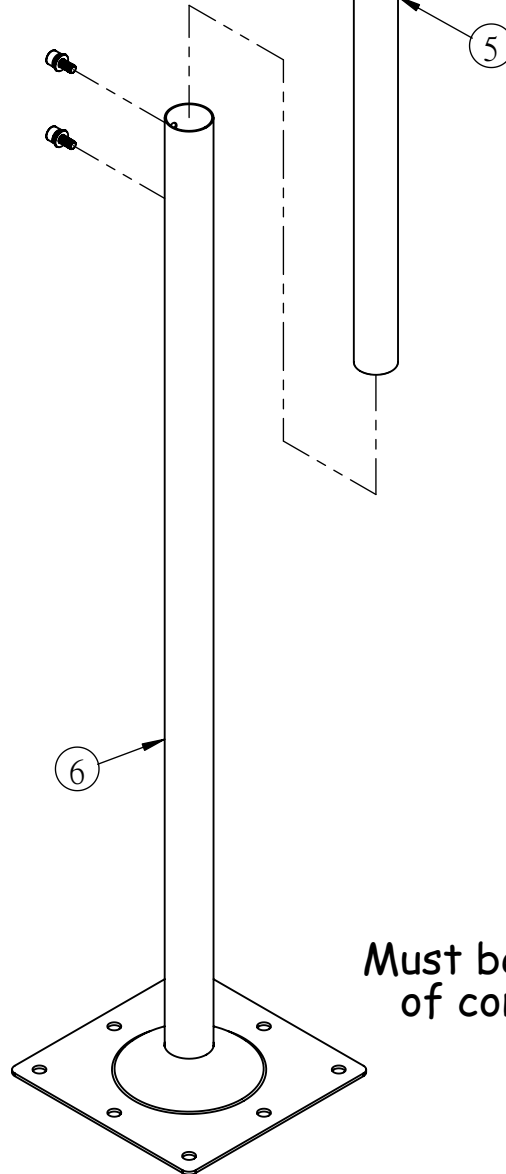
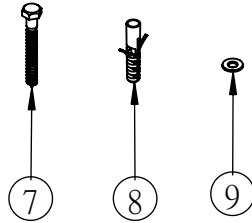
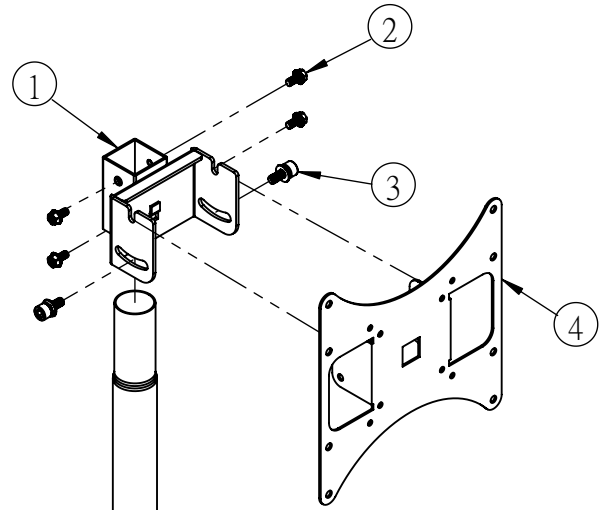
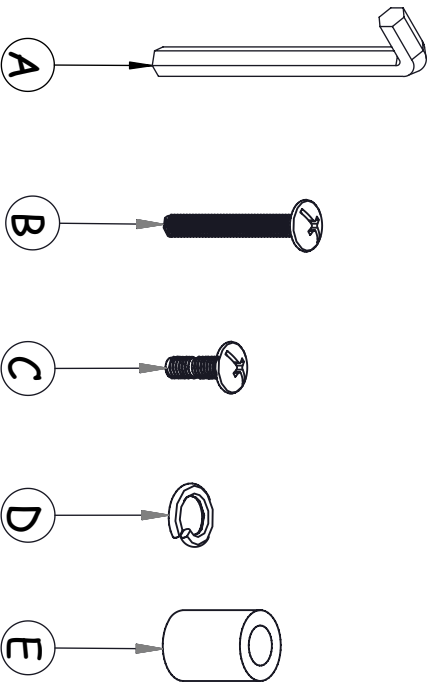


CMB-945

Item	Spare parts	Q'ty
1	JOINT GROUP	1
2	FLANGE BOLTS 1/4"-20UNC*L1/2"	4
3	SCREW CAP 5/16"-18UNC*L3/4" + 2WASHERS	4
4	FIXED PLATE	1
5	EXTENSION TUBE	1
6	FIXED TUBE	1
7	SCREW 5/16"-18UNC*L2 1/2"	8
8	CONCRETE ANCHORS ϕ 10*L50	8
9	WASHER ϕ 8* ϕ 18	8



Must be bolted with 8pcs of concrete anchor



A	ALLEN WRENCH NO.6	1
B-1	SCREW M4*L35mm FOR PDP	4
B-2	SCREW M5*L35mm FOR PDP	4
B-3	SCREW M6*L35mm FOR PDP	4
B-4	SCREW M8*L35mm FOR PDP	4
C-1	SCREW M4*L12mm FOR LCD	4
C-2	SCREW M5*L15mm FOR LCD	4
C-3	SCREW M6*L15mm FOR LCD	4
C-4	SCREW M8*L15mm FOR LCD	4
D-1	SPRING WASHER \varnothing 4 FOR PDP	4
D-2	SPRING WASHER \varnothing 5 FOR PDP	4
D-3	SPRING WASHER \varnothing 6 FOR PDP	4
D-4	SPRING WASHER \varnothing 8 FOR PDP	4
E	SLEEVE \varnothing 8.5* \varnothing 15*L20mm FOR PDP	4