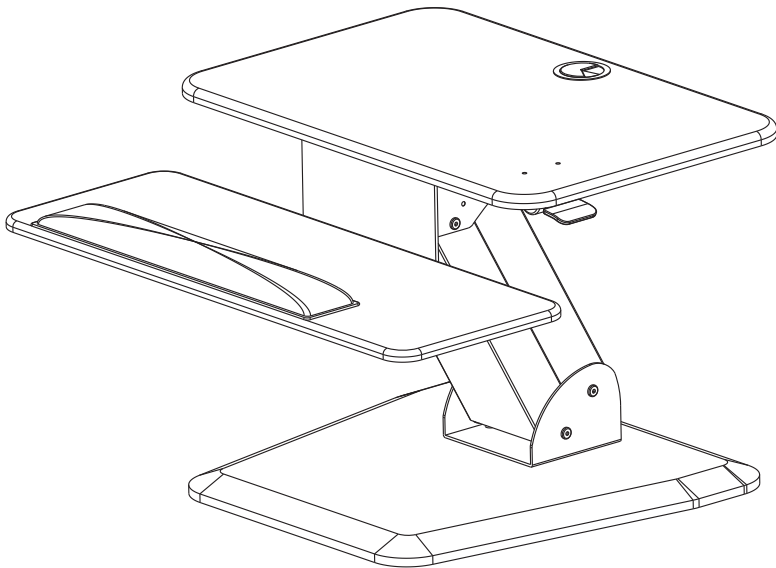


Installation Instruction



UNPACKING INSTRUCTIONS

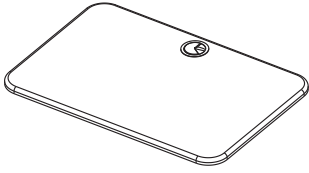
- ! Carefully open the carton, remove contents and lay out on cardboard or other protective surface to avoid damage.
- ! Check package contents against the Supplied Parts List in the next page to assure that all components were received undamaged. Do not use damaged or defective parts.
- ! Carefully read all instructions before attempting installation.

IMPORTANT SAFETY INFORMATION

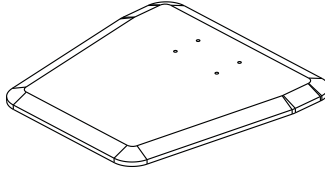
- ! Install and operate this device with care. Please read this instruction before installation, and carefully follow all instructions contained herein. Use proper safety equipment during installation.
- ! Please call a qualified installation contractor for help if you don't understand these directions or have any doubts about the safety of the installation.

Do not use this product for any purpose or in any configuration not explicitly specified in this instruction. We hereby disclaims any and all liability for injury or damage arising from incorrect assembly, incorrect mounting, or incorrect use of this product.

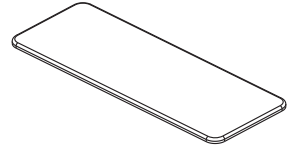
Supplied Parts List



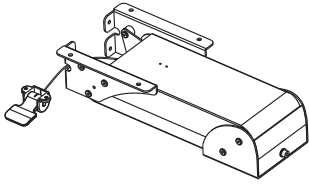
(1) Monitor Platform-a



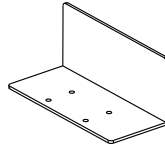
(1) Base-b



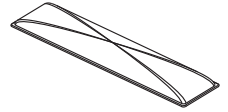
(1) Keyboard Tray-c



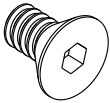
(1) Gas Spring Arm-d



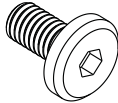
(1) L Plate-e



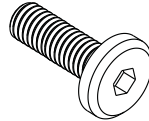
(1) Wrist Pad-f



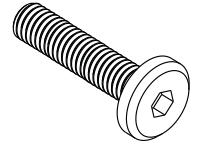
(4) M6x12 Bolt-g



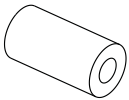
(4) M6x12 Bolt-h



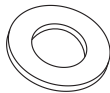
(4) M6x28 Bolt-i



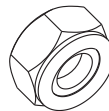
(2) M6x35 Bolt-j



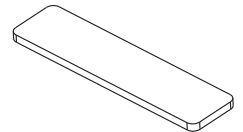
(2) Spacer-k



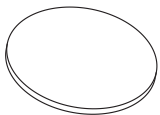
(4) M6 Washer-l



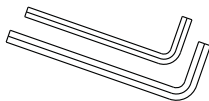
(4) M6 Nut-m



(2) Square Pad-n



(4) Round Pad-o



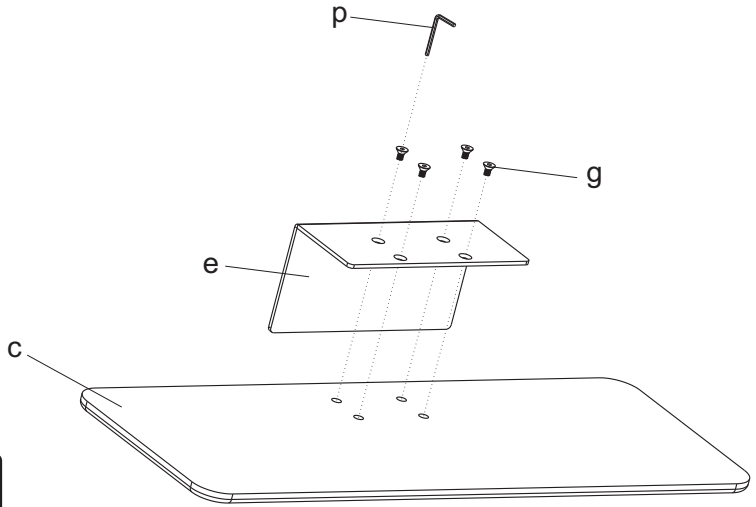
(1) Allen Key-p



(1) Wrench-q

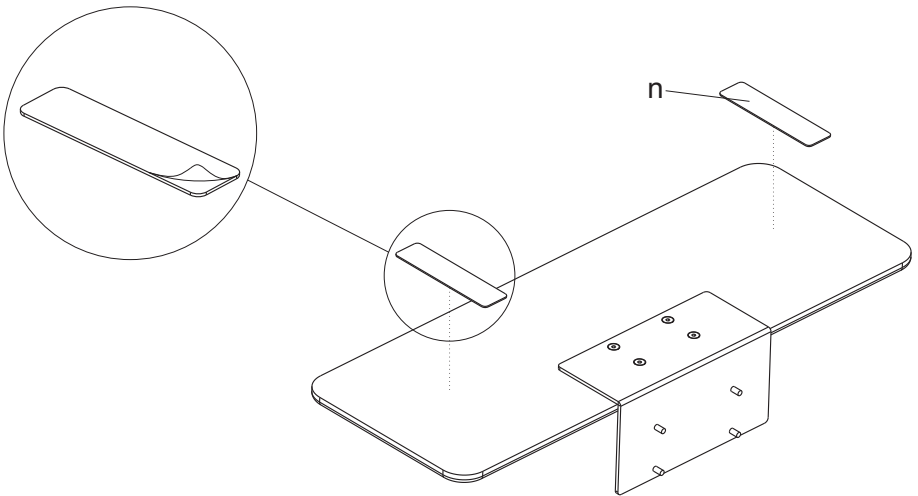
Step 1

Connecting L Plate to Keyboard Tray



Step 2

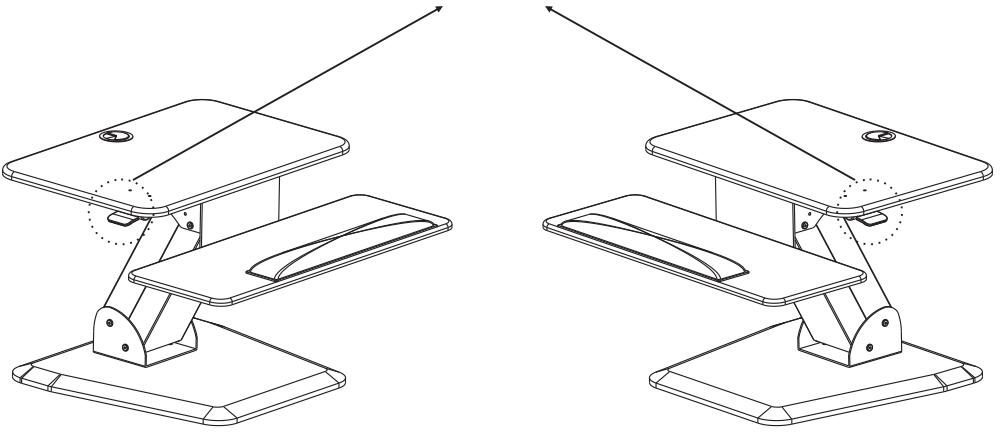
Attaching Square Pads to the Back of Keyboard Tray



Step 3

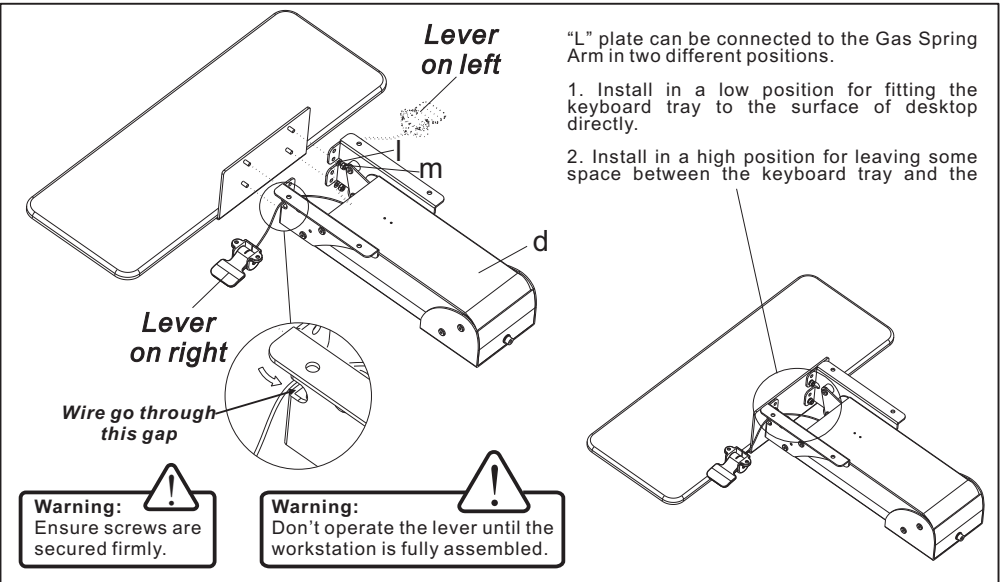
Make Decision for the Lever Location

Lever located on Left or Right?



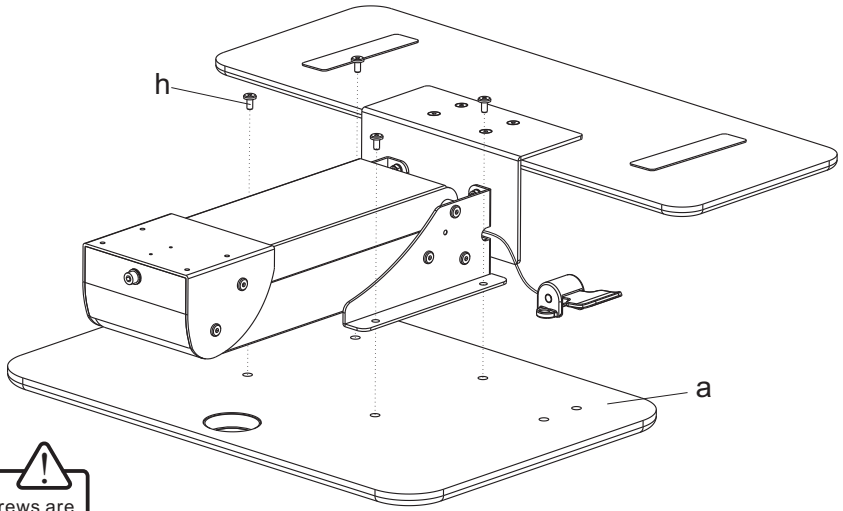
Step 4

Connecting L Plate to Gas Spring Arm



Step 5

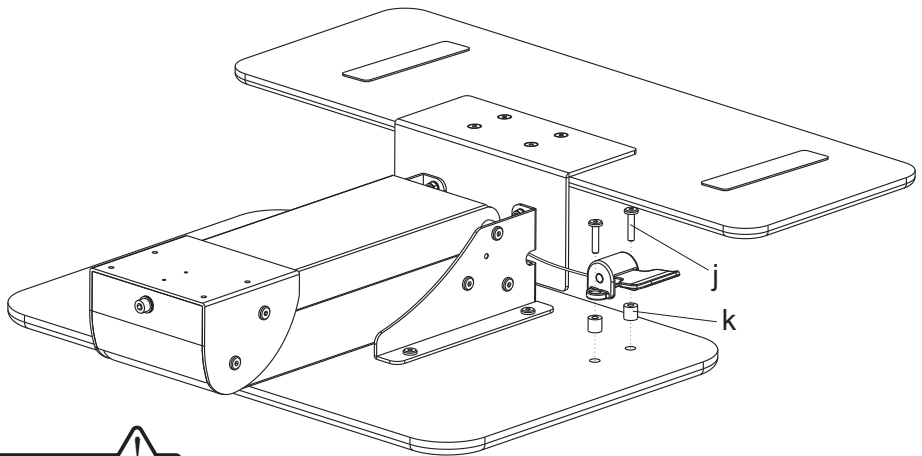
Connecting Gas Spring Arm to Monitor Platform



Warning:
Ensure screws are secured firmly.

Step 6

Attaching Lever to the Back of Monitor Platform

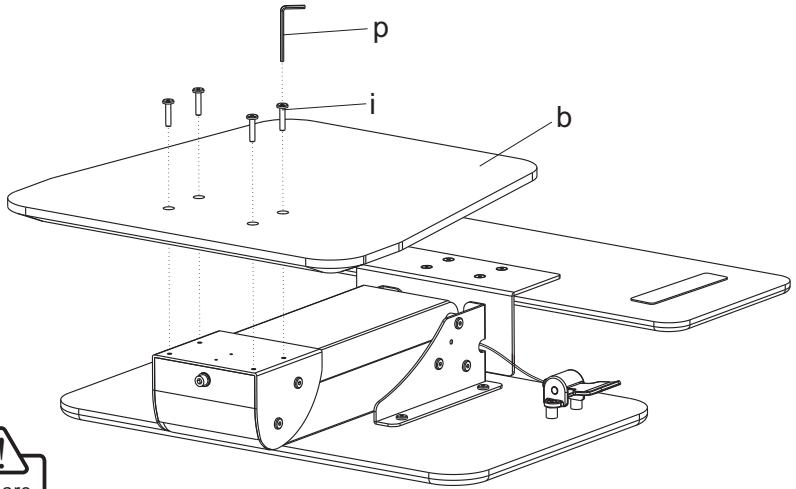


Warning:
Ensure screws are secured firmly.

Note: The lever can be installed either on the right or the left side of monitor platform.

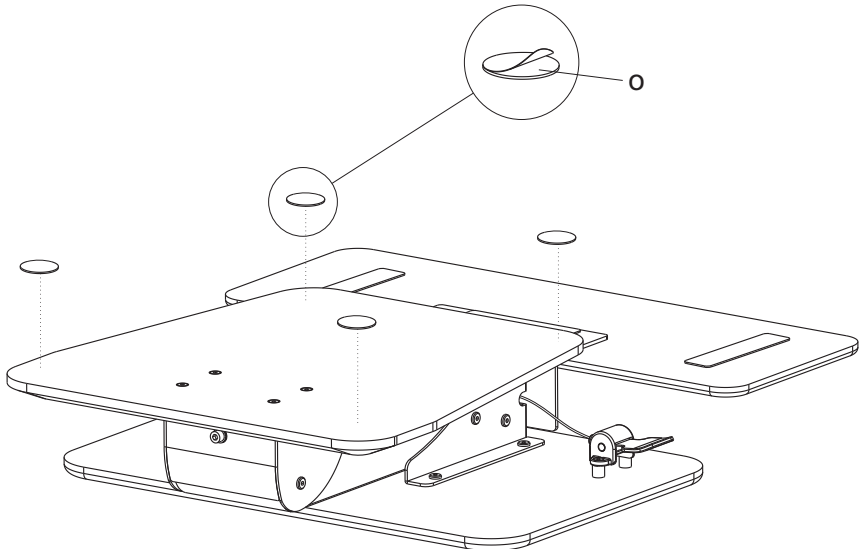
Step 7

Connecting Base to Gas Spring Arm



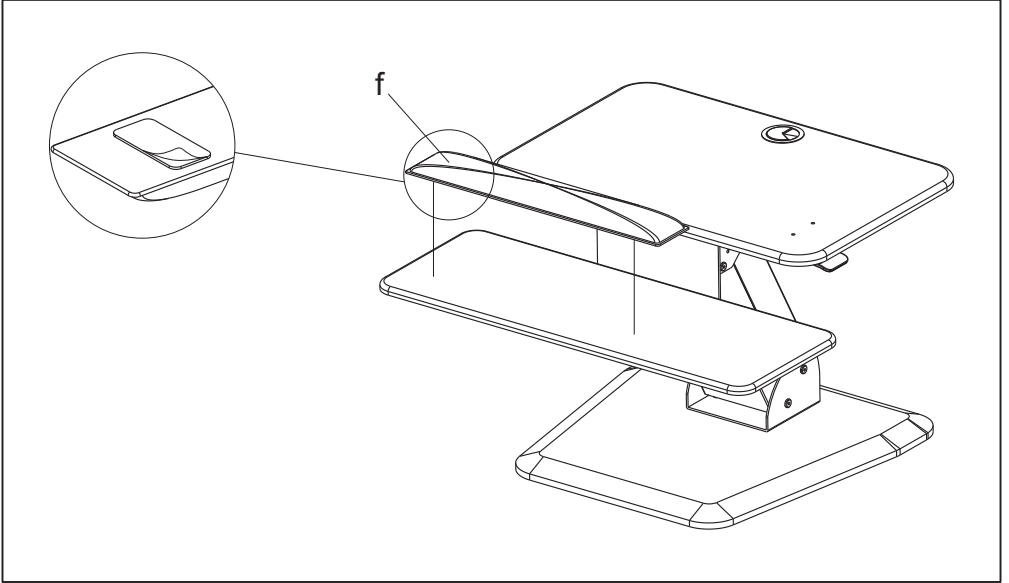
Step 8

Attaching Round Pads to the Back of Base



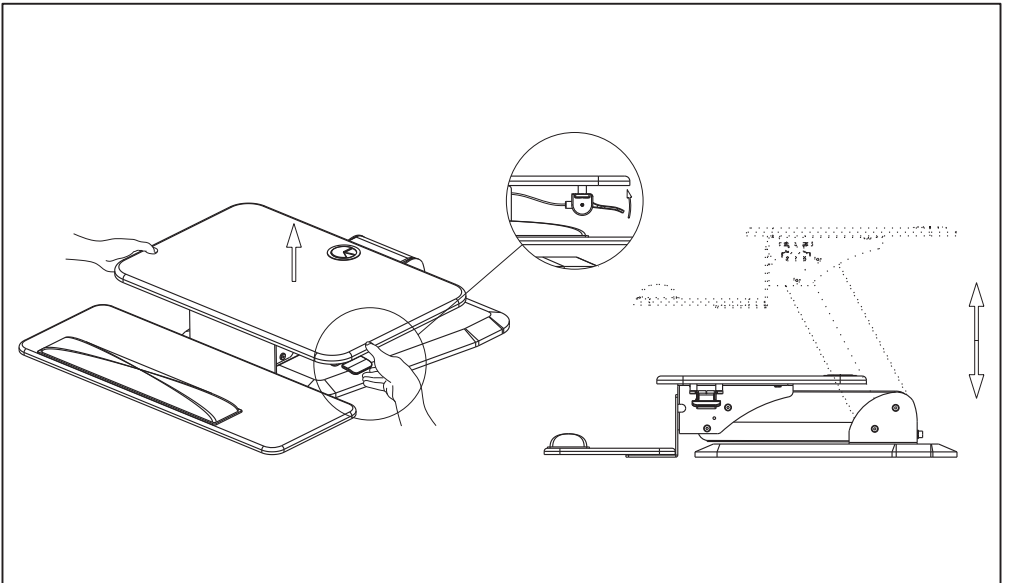
Step 9

Attaching Wrist Pad to Keyboard Tray

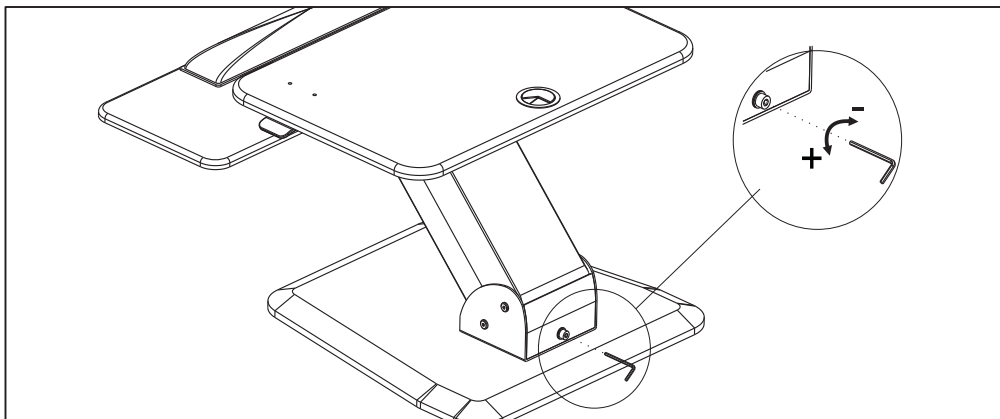


Step 10

Operating the Lever to Lift or Lower the WorkStation



Step 11 Adjusting the Tension of Workstation



- If the weight of the monitor(s) makes it difficult to lift the workstation, adjust the screw at the back of the gas spring arm counterclockwise.
- If the workstation lowers too quickly, adjust the screw at the back of gas spring arm counterclockwise.
- If the workstation doesn't easily lower down, adjust the screw at the back of gas spring arm clockwise.